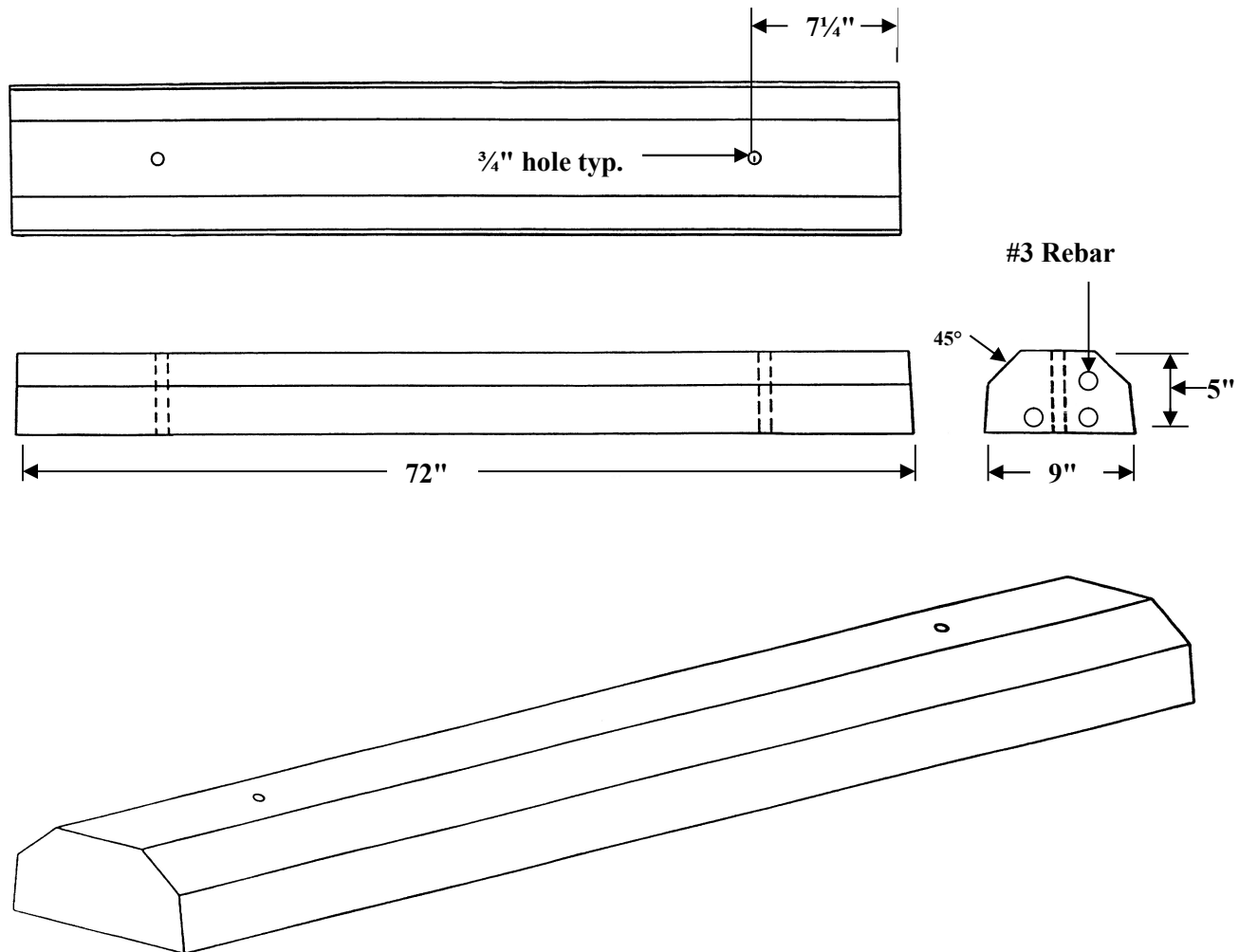


## 6 FOOT PARKING BLOCK SHOP DRAWING



**Air Entrained Concrete 6% +/-2%**  
**Produced with 5,000 PSI concrete @ 28 days**  
**Reinforced Concrete**  
**(5/8" x 15" pins available)**  
**Approx. Weight 225 lbs.**