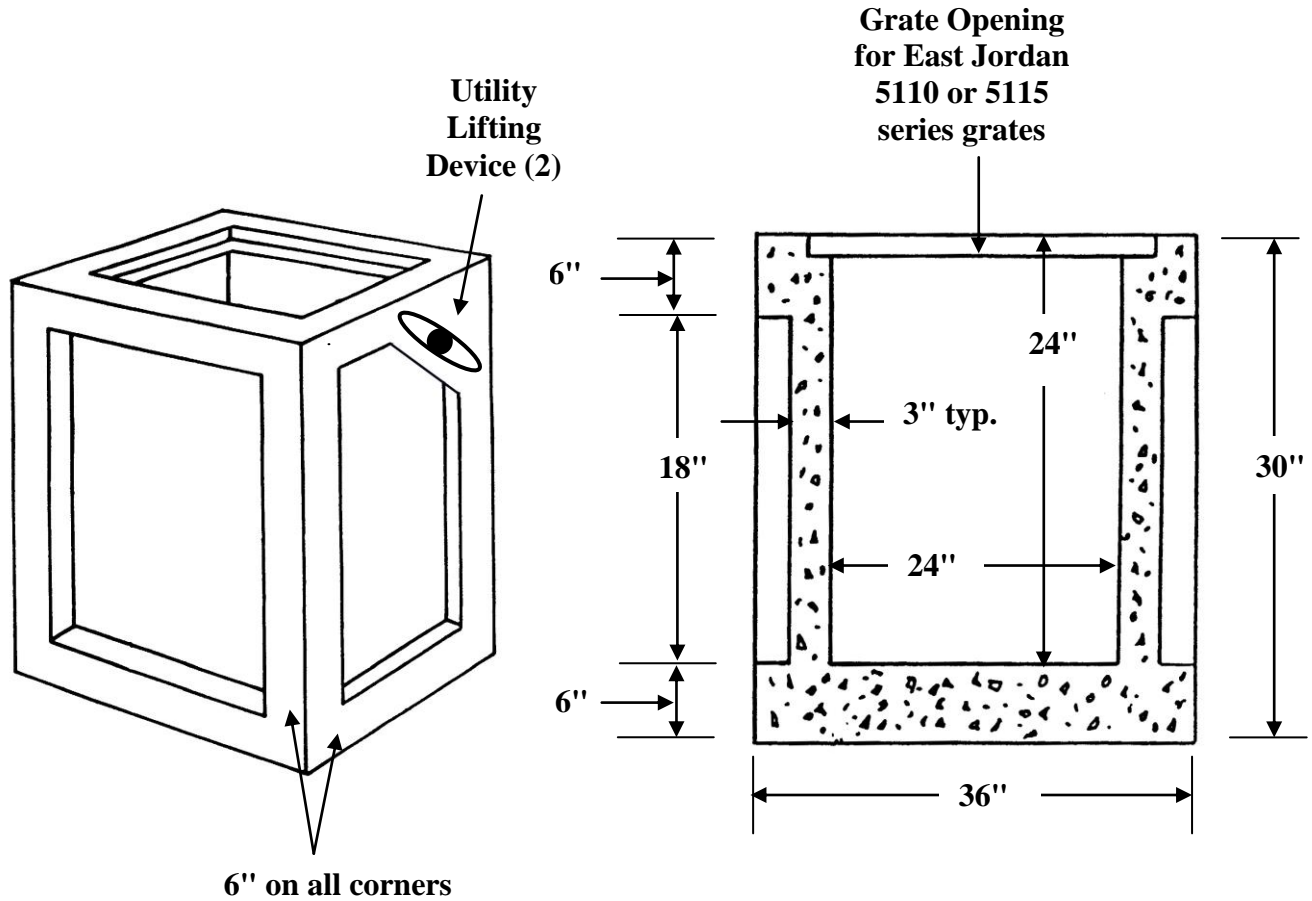


2-2B CATCH BASIN SHOP DRAWING

24" ID with Knockouts

(also available in 36" & 48" depth sizes)



Air Entrained Concrete 6% +/- 2%

All products are produced with 5,000 PSI concrete @ 28 days

Reinforced with #3 rebar on all corners, sides, and floor

Six inches on all corners - Six inch solid floor

3" wall thickness in window area

24" x 24" inside and 36" x 36" outside dimensions