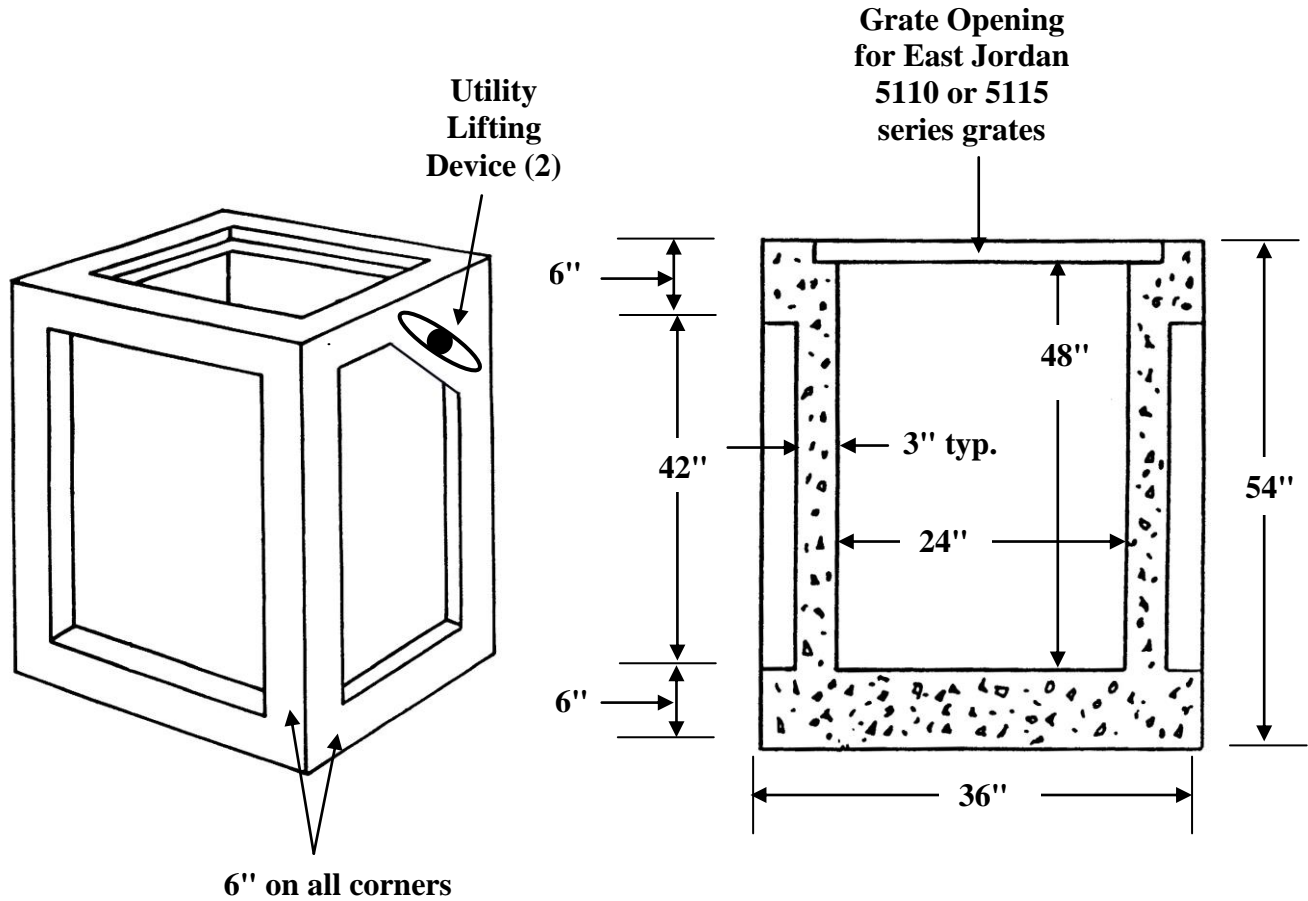


## 2-2B CATCH BASIN SHOP DRAWING

### 48" ID with Knockouts

(also available in 24" & 36" depth sizes)



**Air Entrained Concrete 6% +/- 2%**

**All products are produced with 5,000 PSI concrete @ 28 days**

**Reinforced with #3 rebar on all corners, sides, and floor**

**Six inches on all corners - Six inch solid floor**

**3" wall thickness in window area**

**24" x 24" inside and 36" x 36" outside dimensions**